

S418

24V Electromechanical operator



Max width single leaf

2,3 - 2,7 m

Use frequency

Continuous use



- Adjustable high speed.
- New "multi-position" fixing bracket for non-welded installation.
- Integrated opening and closing mechanical stops (possibility to avoid anti-crushing device installation).



24V SAFEzone
system:
S418 + E024S or E124



GREENTech
system:
S418 + E124



DIMENSIONS AND TECHNICAL SPECIFICATIONS

Model	S418 24V
Power supply voltage	220-240V~ 50/60 Hz
Motor	With brushes 24V
Max. power	35 W
Max expressed force	1800 N
Rod max speed	37 mm/s (con E124)
Rod travel	350 mm (390 mm without stops)
Max. leaf opening angle	110°
Operating ambient temperature	-20°C ÷ + 55°C
Protection class	IP54
Weight	6 Kg
Use frequency	Continuous use
Max. leaf width	2.3 m (2.7 m with electric lock)
Mounting brackets	Rear attachment to be screwed and adjustable - front attachment to be screwed and adjustable
Dimensions (LxDxH)	825 x 104 x 125 mm
Electronic equipment	Not included

FAMILY MODELS

Model	Item code
S418 24V	104301

PACKS

S418 includes: an electromechanical operator, accessories for installation, a release key.

Typical Installation Examples page. 336

ELECTRONIC CONTROL UNITS



E024S Electronic control unit with enclosure
Info at page 148

790286



E124 Electronic control unit with enclosure
Info at page 149

790284

ACCESSORIES



XBAT 24 emergency battery kit *

390923



Emergency battery support kit *
(specific for E124)

390926



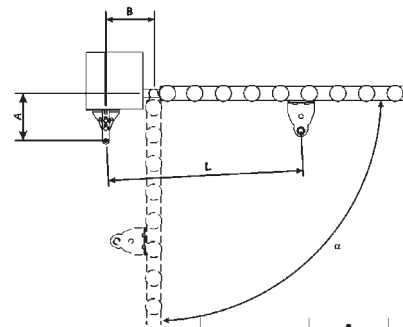
BUS XIB interface
(for E045 or E024S control unit with non BUS photocell)

790062

NOTE

- ◆ It is not compatible with E124 control unit.
- ◆ The 2 Pb standard batteries are not supplied by FAAC and must have a voltage/current of 12 V/4Ah. Dimensions: 90X70X108 mm

INSTALLATION DIMENSIONS (MM)



Type	α	A	B	L
S418 with opening and closing stops	90°	165	165	690
		175	175	690
S418 with opening stop	110°	150	150	690
		175	165	708
S418 without opening and closing stops	90°	180	180	708
	110°	160	160	708

OTHER ACCESSORIES

Key operated buttons
page 176

Safety devices
page 190

Transmitters and receivers
page 168

Photocells and columns
page 186

Flashing lights
page 198

Various accessories
page 200