

# 415 24V

## 24V Electromechanical operator



Max width single leaf

2,5 - 4 m

Use frequency

Continuous use



- "In-axis" thrust operator.
- Available in versions with a 300 mm (max leaf 3 m) and 400 mm (max leaf 4 m) rod stroke.
- Horizontal exit for cables to allow near to ground installation (low installation).



24V SAFEzone  
system:  
415 24V + E024S or  
E124



24V GREENTech  
system:  
415 24V + E124



### DIMENSIONS AND TECHNICAL SPECIFICATIONS

Model	415 24V	415 L 24V
Power supply voltage	220-240V~ 50/60 Hz	
Motor	With brushes 24V	
Max. power	70 W	
Max expressed force	2800 N	
Rod max speed	16 mm/s	
Rod travel	300 mm	400 mm
Max. leaf opening angle	110°	
Operating ambient temperature	-20°C ÷ +55°C	
Protection class	IP54	
Weight	7.8 Kg	8 Kg
Use frequency	Continuous use	
Max. leaf width	2,5 m (3 with electric lock)	3 m (4 with electric lock)
Mounting brackets	Rear attachment to be welded/screwed - front attachment to be welded	
Dimensions (LxDxH)	835 x 105 x 148 mm	940 x 105 x 148 mm
Electronic equipment	Not included	

## FAMILY MODELS

Model	Item code
415 24V	1044151
415 LS 24V	1044161
416 L 24V	1044171
417 LLS 24V	1044181

## PACKS

**415 24V** includes: an electromechanical actuator, installation accessories and a release key.

Typical Installation Examples page. 335

## ELECTRONIC CONTROL UNITS



**E024S** Electronic control unit with enclosure  
Info at page 148

790286



**E124** Electronic control unit with enclosure  
Info at page 149

790284

## ACCESSORIES



**XBAT 24** emergency battery kit \*

390923



Emergency battery support kit \*  
(specific for E124)

390926



Plate to be walled

737604

>>



**BUS XIB** interface  
(for E045 or E024S control unit with non BUS photocell)

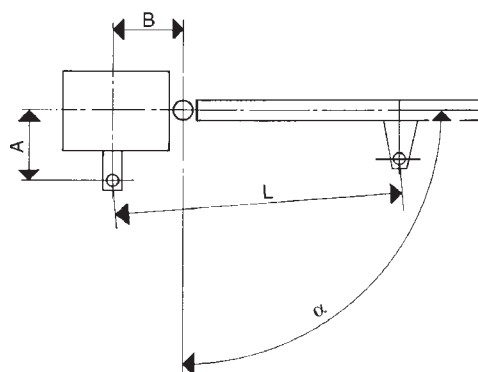
790062



Shaft cover for mod. 415 with rod stroke 300 mm

727525

## INSTALLATION DIMENSIONS (MM)



Type	$\alpha$	A	B
415	90°	145	145
	110°	120	135
415 L	90°	195	195
	110°	170	170

## NOTE

- It is not compatible with E124 control unit.
- The 2 Pb standard batteries are not supplied by FAAC and must have a voltage/current of 12 V/4Ah. Dimensions: 90X70X108 mm

## OTHER ACCESSORIES

**Key operated buttons**  
page 176

**Safety devices**  
page 190

**Transmitters and receivers**  
page 168

**Photocells and columns**  
page 186

**Flashing lights**  
page 198

**Various accessories**  
page 200