

External automations  
for swing-leaf gates



# 415 230V

## 230V Electromechanical operator

### Max width single leaf

2,5 - 4 m (with electric lock)

### Use frequency

S3 - 30%



- "In-axis" thrust operator.
- Available in versions with a 300 mm (max leaf 3 m) and 400 mm (max leaf 4 m) rod stroke.
- Horizontal exit for cables to allow near to ground installation (low installation).



**230V SAFEzone system:**  
415 230V + E045 or  
E145 + SAFEcoder



**GREENTech 230V system:**  
415 230V + E045  
or E145



### DIMENSIONS AND TECHNICAL SPECIFICATIONS

Model	415	415 L
Power supply voltage	220-240V~ 50/60 Hz	
Motor	Asynchronous single phase	
Max. power	300 W	
Max expressed force	3000 N (*)	
Rod max speed	16 mm/s (*)	
Rod travel	300 mm	400 mm
Max. leaf opening angle	110°	
Operating ambient temperature	-20°C ÷ +55°C	
Thermal protection	140°C	
Protection class	IP54	
Weight	7.8 Kg	8 Kg
Use frequency	S3 - 30%	
Max. leaf width	2.5 m (3 m with electric lock)	3 m (4 m with electric lock)
Mounting brackets	Rear attachment to be welded/screwed - front attachment to be welded	
Dimensions (LxDxH)	835 x 105 x 148 mm	940 x 105 x 148 mm
Electronic equipment	Not included	

(\*) data referred to 230V~ 50Hz.

## FAMILY MODELS

Model	Item code
415	104415
415 L	104417

## PACKS

**415 230V includes:** an electro-mechanical operator, installation accessories, a release key, a 400V 8 $\mu$ F thrust capacitor.

Typical Installation Examples page. 335

## ELECTRONIC CONTROL UNITS



E045 electronic control unit  
Info at page 144

790005



E145 electronic control unit  
Info at page 146

790006

## ACCESSORIES



Enclosure mod. L for electronic control units

720118



Enclosure mod. E for electronic control units

720119



Enclosure mod. LM for electronic control units

720309

>>



Plate to be walled

737604



SAFEcoder BUS magnetic absolute encoder (FAAC Patent)

404040



BUS XIB interface (for E045 or E024S control unit with non BUS photocell)

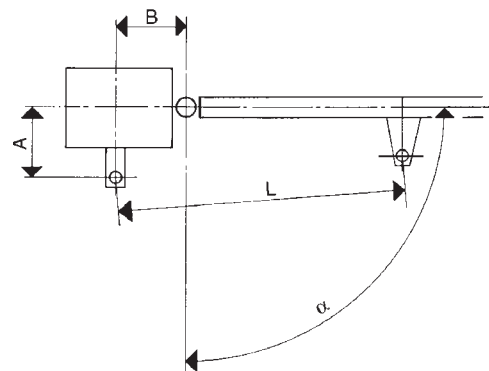
790062



Shaft cover for mod. 415 with rod stroke 300 mm

727525

## INSTALLATION DIMENSIONS (MM)



Type	$\alpha$	A	B
415	90°	145	145
	110°	120	135
415 L	90°	195	195
	110°	170	170

### OTHER ACCESSORIES

Key operated buttons  
page 176

Safety devices  
page 190

Transmitters and receivers  
page 168

Photocells and columns  
page 186

Flashing lights  
page 198

Various accessories  
page 200